



BOLLO™

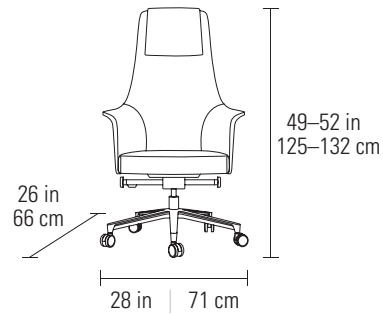
BD

BOLO™

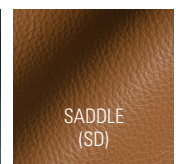
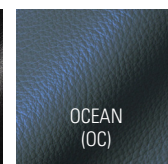
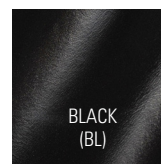
Meet Bolo. It cradles you in soft, durable leather, and its tough steel frame has your back. Plus, it's loaded with plenty of customizable features.

3531 OFFICE CHAIR

Overall Dimensions	49–52H x 28 x 26 in 125–132H x 71 x 66 cm
Headrest	7 positions; 2.4 in 60 mm
Seat Height	17.5–20.5 in 45–52 cm
Seat Depth	17.5 in 45 cm
Seat Width	15–20 in 38–50 cm
Armrest Height	9 in 23 cm
Weight Capacity	300 lbs 136 kg
Weight	48 lbs 28 kg



For product info and detailed specs, visit bdiusa.com/bolo



BDi's products are packaged with recyclable materials. Dimensions, specifications, and availability are subject to change. For current specifications and availability, visit www.bdiusa.com. Listed capacities assume even distribution of weight. BDi's designs are protected by US and international patents, trade dress, and/or copyright laws. "Bolo" and BDi are trademarks of Becker Designed Inc. All rights reserved. ©2024, BDi