



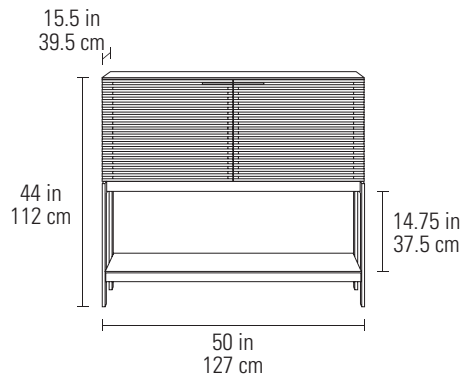
CORRIDOR® SV BAR

DESIGN **MATTHEW WEATHERLY**

Although it features a slim profile, the inspired Corridor SV bar pours on the features. Hidden behind louvered hardwood doors is storage for a complete home bar and glassware. Create the perfect storage solution; the interior can be configured a number of ways allowing you to mix it up whenever you need to.

5621 BAR

Dimensions	44H x 50 x 15.5 in 112H x 127 x 39.5 cm
Top Shelf Capacity	100 lbs 45 kg
Interior Shelves Capacity	50 lbs 22.5 kg
Lower Shelf Capacity	100 lbs 45 kg
Drawer Capacity	25 lbs 11 kg
Drawer Dimensions	2.5H x 18.5 x 10.75 in 6.5H x 47 x 27.5 cm
Adjustable Interior Shelves	2
Shelf Spacing	2.5 ins 64 mm; (4 positions)
Weight	156 lbs 70.75 kg



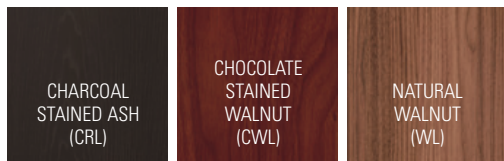
The smooth satin-etched glass top and lower shelf are resistant to scuffs and stains



A versatile lined storage tray can hold utensils or act as a serving tray for bottles



Stemmed glassware is protected with a felt-lined wooden storage rack to minimize vibration



SATIN-ETCHED GLASS

Durable and resistant to scratches, this resilient surface is easy to clean long after the party is over

PRECISION HARDWARE

Soft-close hinges are easily adjustable to keep doors in perfect alignment

STORAGE DRAWER

Used as a utensil drawer with the included liner or as a tray for bottles without, this push-to-open drawer can be positioned on either side of the cabinet

WINE STORAGE

Horizontal storage compartments accommodate wine bottles of varying sizes



STEMWARE RACK

Protecting stemmed glassware, this wooden rack is lined with felt to minimize vibration

ADJUSTABLE SHELVES

Two grey-tinted glass shelves can be positioned anywhere desired throughout the cabinet

LOUVERED DOORS

Hardwood louvered doors provide ventilation and promote airflow

STORE MORE

Whether home to ice buckets or additional bottles, the satin-etched glass shelf provides additional storage within easy reach



COCKTAIL MIXER

The cabinet can be configured a variety of ways, providing an assortment of storage solutions



BDi's products are packaged with recyclable materials. Dimensions, specifications, and availability are subject to change. For current specifications and availability, visit www.bdiusa.com. Listed capacities assume even distribution of weight. BDi's designs are protected by US and international patents, trade dress, and/or copyright laws. "Corridor" and BDi are trademarks of Becker Designed Inc. All rights reserved. ©2022, BDi