

Standard Features:

- Advanced unidirectional suspension system
- Premium high-density, high-resiliency foam seat cushion
- Tight back and seat cushion
- Loose back pillow (24"x15"x7")
- Double-needle top-stitch
- Burnished Bronze metal leg with hammered detail
- Limited lifetime warranty on frame
- Quick-ship delivery

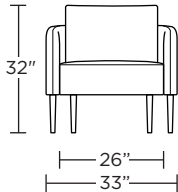
Options:

- Contrasting cover available (two tone):
 - Color 1 - Body
 - Color 2 - Back Pillow

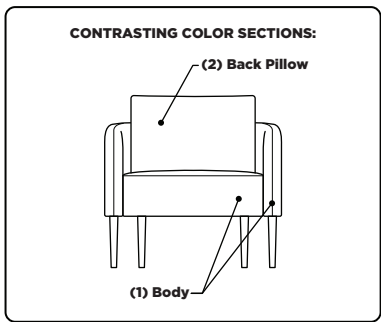
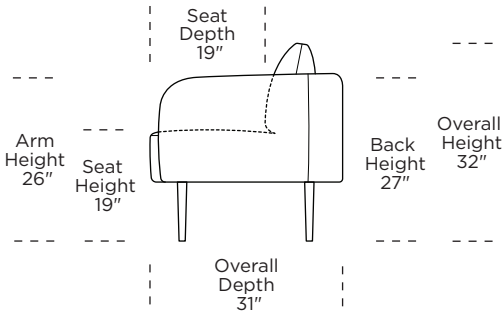
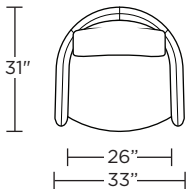
Leg height is 9½"

Please use actual leather, fabric, Crypton®, Sunbrella® and Ultrasuede® swatches when specifying furniture as the colors shown may vary due to the printing process.

WLG-CHR-ST



WLG-CHR-ST



Scale: 1/4 inch = 1 foot
All dimensions are approximate and subject to change.
Specify components from the sitting position.