



VICTOR

Dining Table

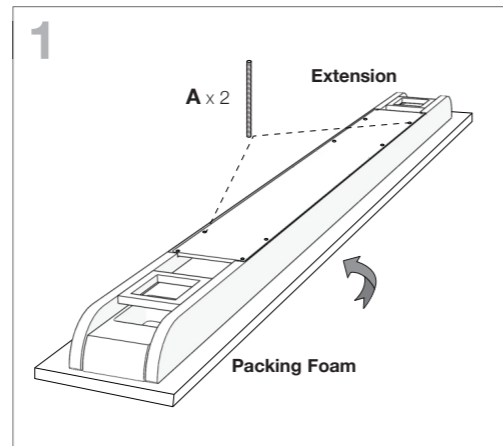
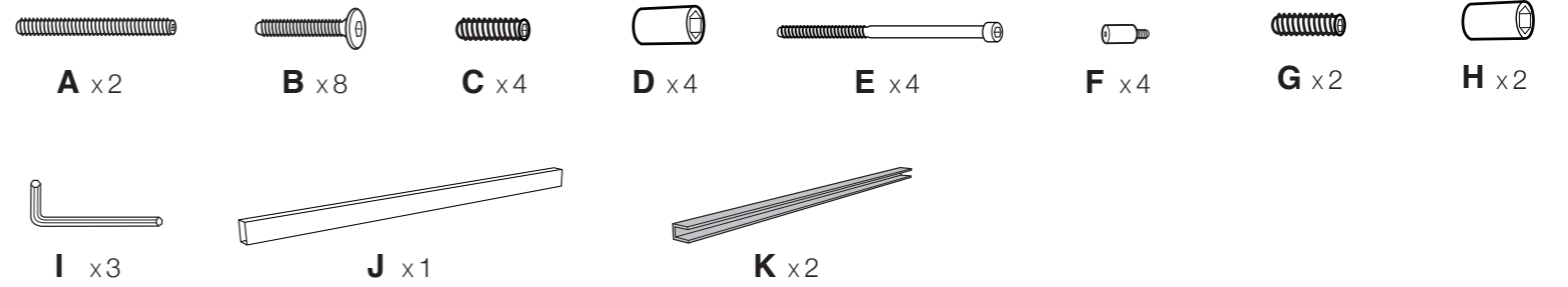
3018-78

www.elitemodern.com

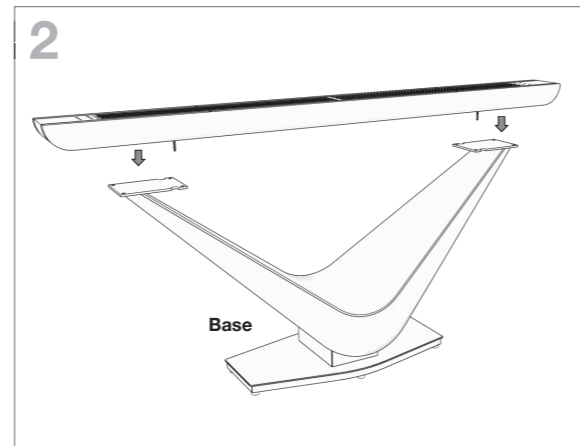
HARDWARE

NOTE: Place table base on final location before assembly

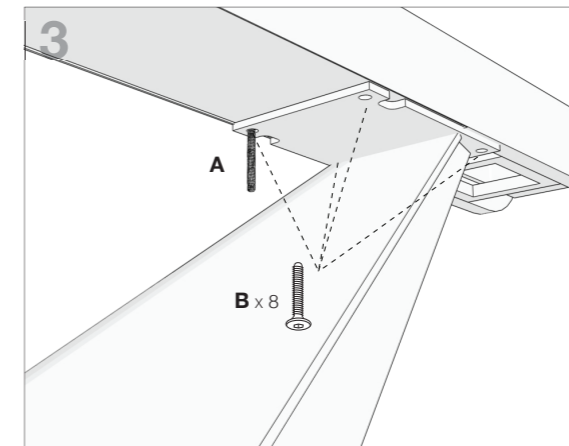
CAUTION: DO NOT LIFT FULLY ASSEMBLED TABLE FROM GLASS



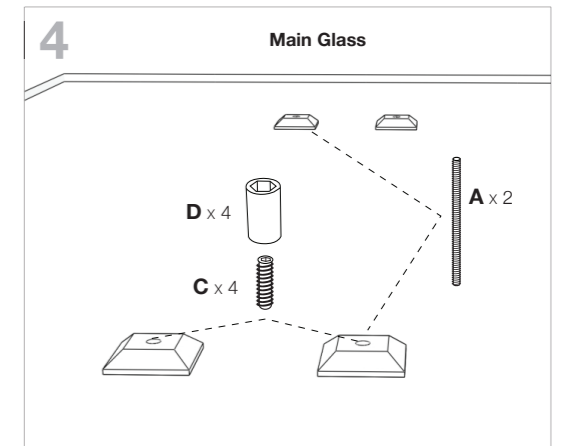
Carefully place extension on a soft surface/packing foam. Screw on (A) diagonally on marked holes #2.



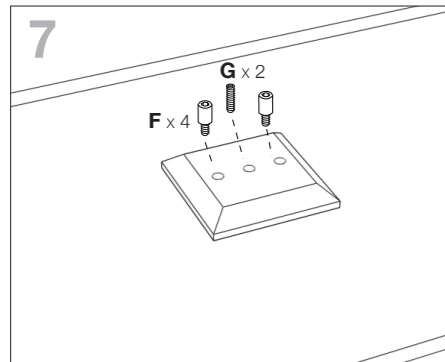
Lower extension onto base using (A) as a guide.



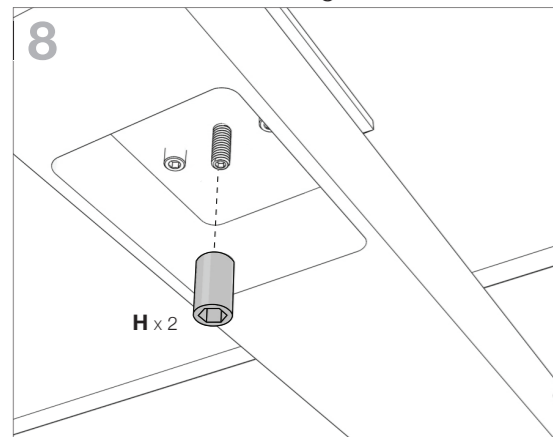
Once aligned, remove (A) and fully tighten using (B) with allen key (I).



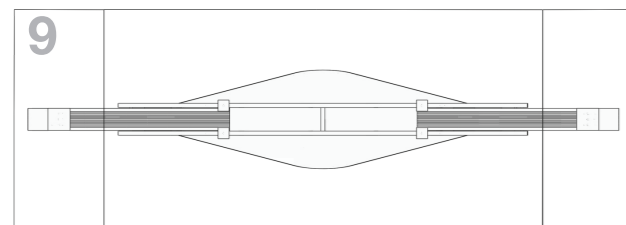
Screw (C) onto glass followed by (D) and tighten fully with allen key (I). Repeat on opposite side. Place (A) on (D) diagonally.



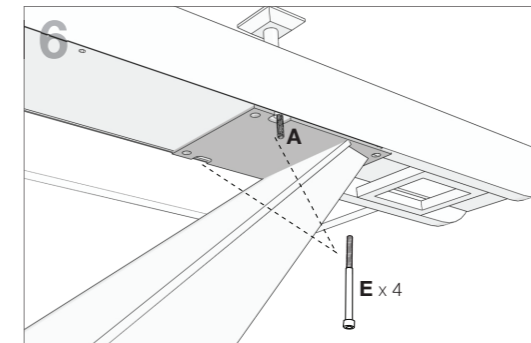
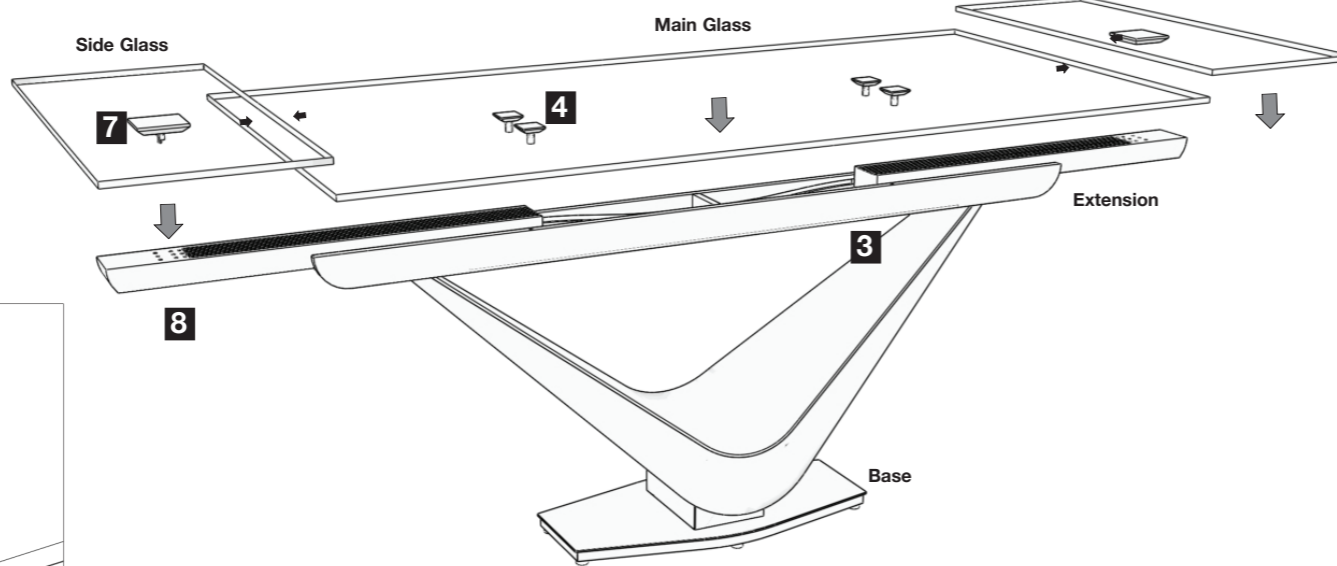
Place (F) and (G) onto side glass, fully tighten with allen key (I). Lay glass on extension with arrows facing each other.



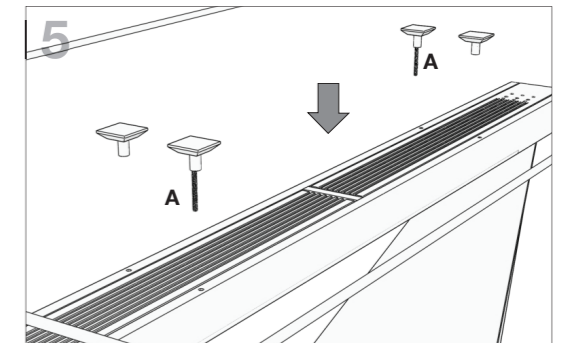
Secure side glass with (H). Hand tighten only. Repeat steps 7 & 8 on opposite side.



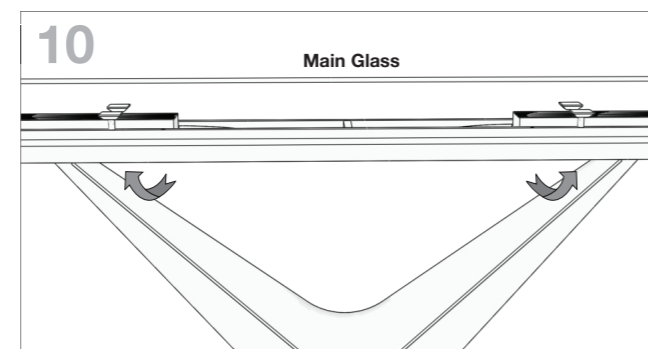
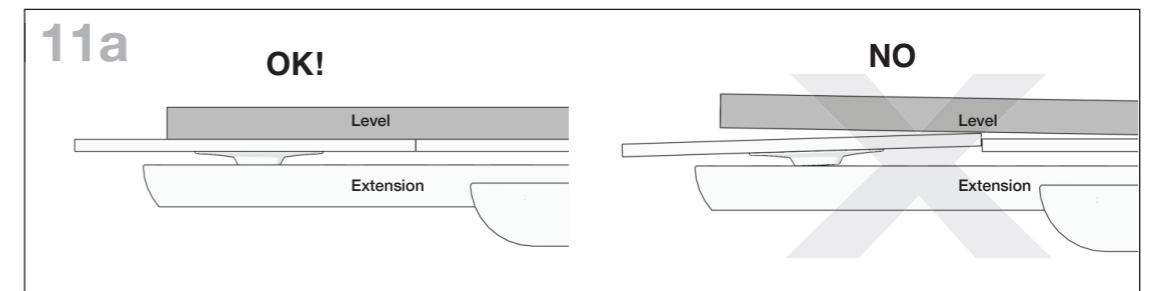
Align main glass with side glass.



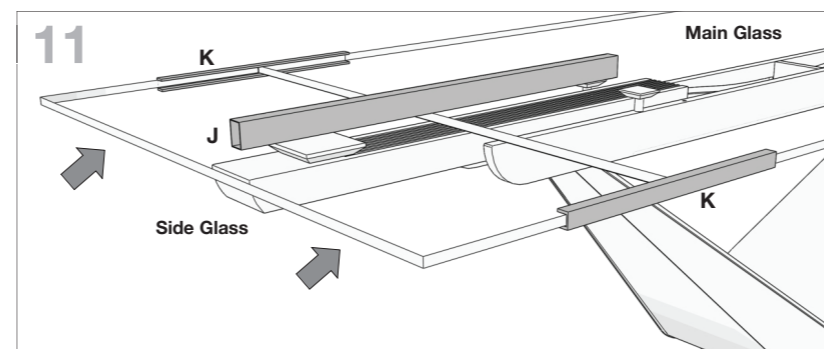
Secure with (E) on both sides, remove (A) and secure with remaining (E). Hand tighten only.



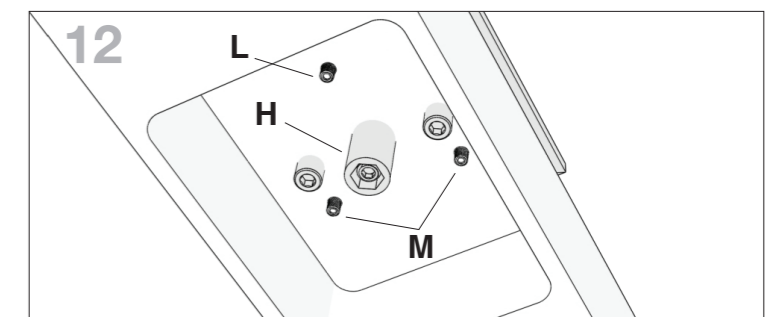
Carefully lay glass on extension using (A) as guides.



Once main glass is aligned, fully tighten (E) with allen key (I) shown in step 6.



Place (K) on glass as shown. Push side glass towards main to align. Check level with (J) See step 11a for reference.



Use allen key (I) to adjust (L) clockwise to raise, counterclockwise to lower. Once leveled hand tighten (M) and fully tighten (H) with allen key (I). Repeat steps 11 & 12 on opposite side to complete assembly.