

Solar



Design: **STUDIO DR**



Solar C-24

CONFIGURATIONS

26" OTTOMAN • 38" OTTOMAN • 54" BENCH

*Top view shown at 1/4" scale.

SPECIFICATIONS

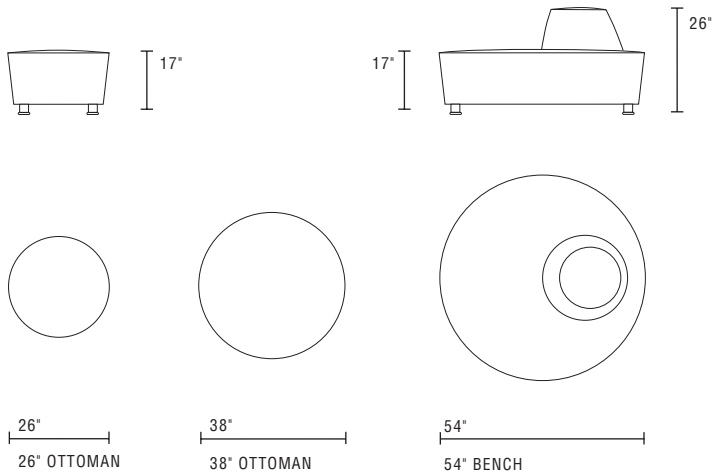
FRAME: Select hardwood and industrial grade plywood covered with polyurethane foam and polyester fiber.

SUSPENSION: 3" unidirectional webbing.

CUSHIONS: Multiple density and IFD polyurethane foam wrapped with polyester fiber.

UPHOLSTERY: Fabrics; all edges are serged and top stitched.

LEGS: Polished chrome with plastic glide.



Specifications are subject to change without notice.
©2002 Dellarobbia, Inc.

DELLAROBBI
CALIFORNIA